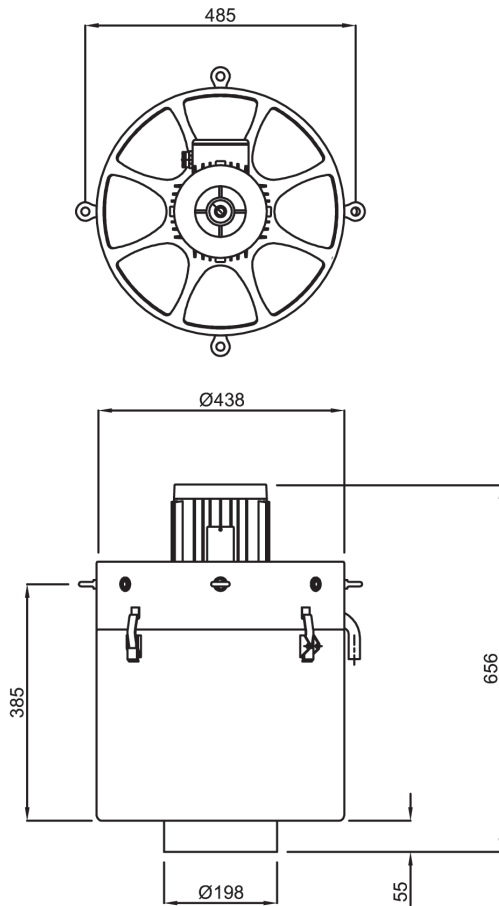
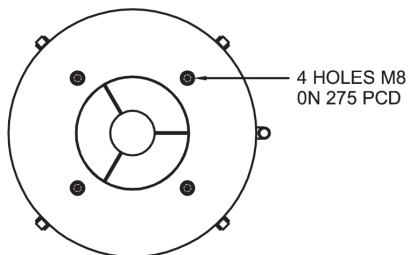


# FILTERMIST XCEL 2

## OIL MIST FILTER



FX7000	
AIRFLOW (M <sup>3</sup> /HR)	2750 @50 Hz
MOTOR (2.2 kW, 3 ph)	200V-240V } 50 Hz ONLY 380V-415V }
WEIGHT (KG)	40
NOISE (dBA)	72
CONSTRUCTION	Mild Steel Powder Coated Grey RAL7035



October 2004